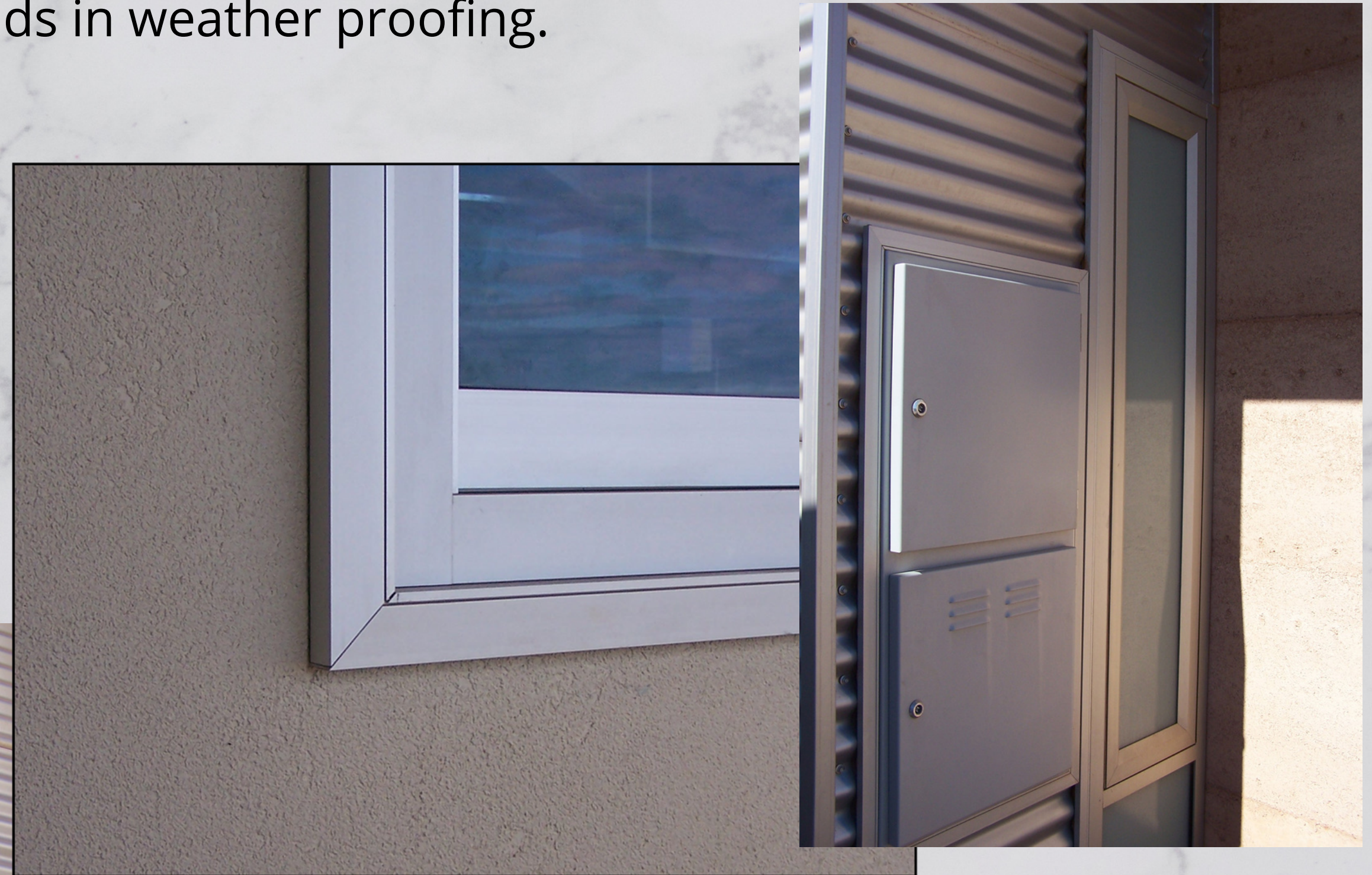


Westrim Architectural Window Surround Trim

Finish off your project with cost effective quality trims that not only provide aesthetic value but also aids in weather proofing.

- Weather resistant trimming to suit ALL frame types (Residential or Commercial)
- Allows for easier installation of claddings against window / door frames on site
- Provides 50mm fin for fixing into timber/steel framing making installation more efficient
- Powdercoat/Anodise to match window frame or match wall colour
- Three Snap on beads to choose from for different cladding types
- Architectural clean modern lines for quality finish

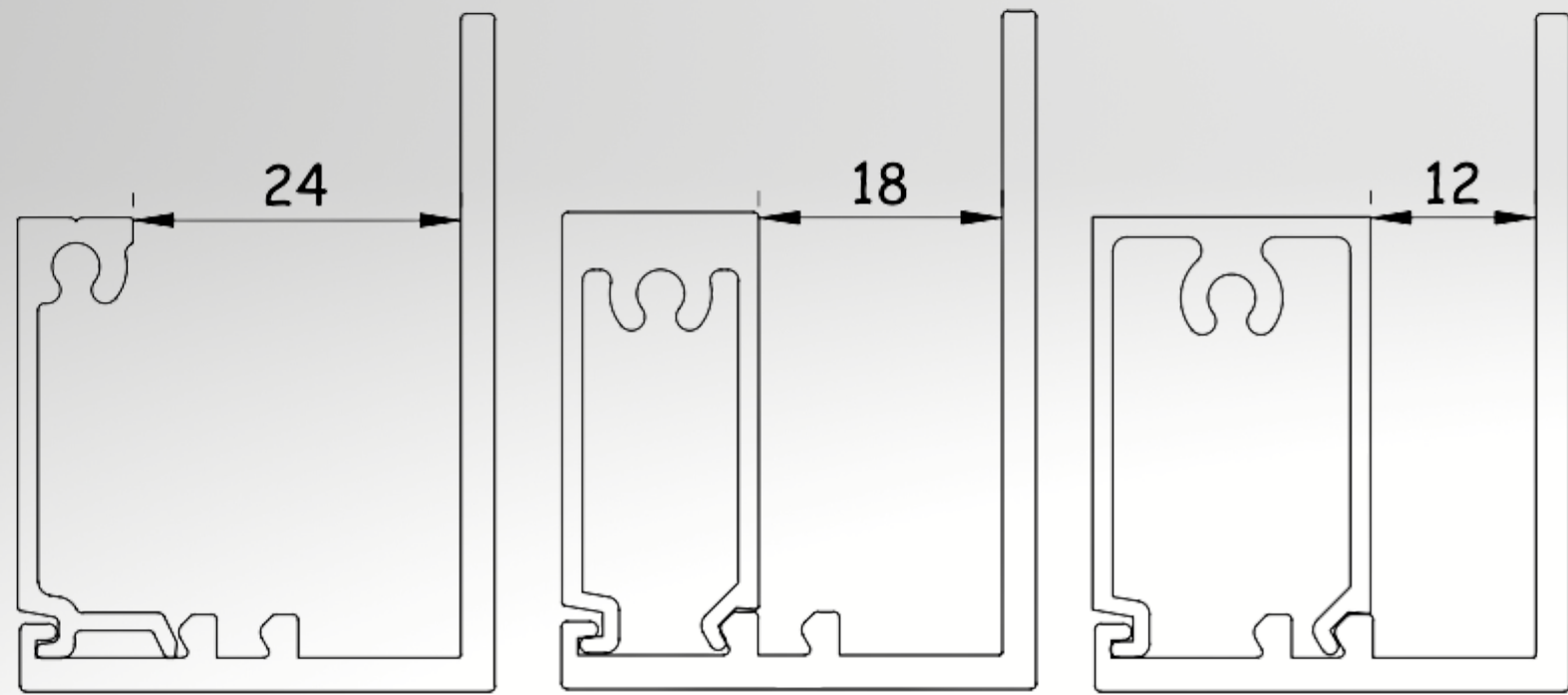
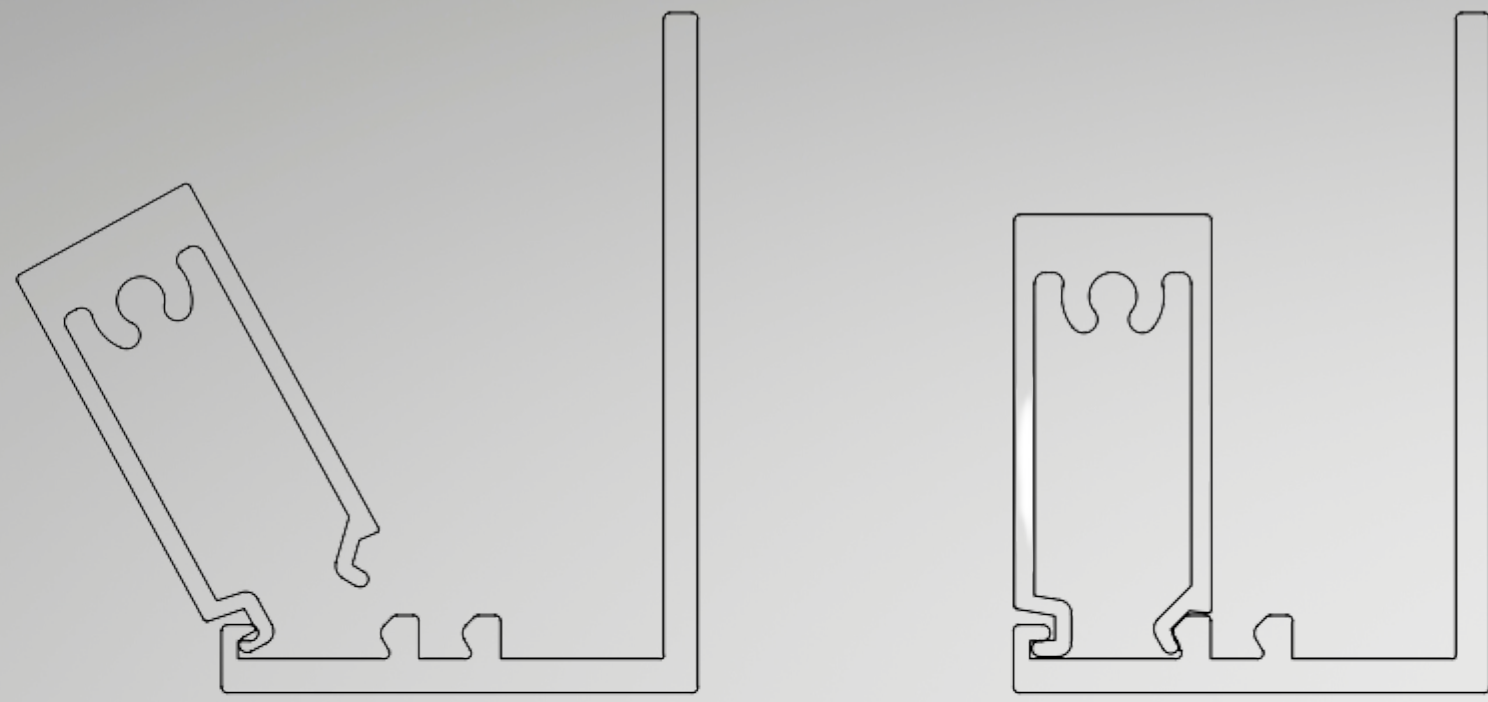


GAS148 - L Frame - Used in all applications to provide a fin and weatherproofing of Window and Door Frames, meterboxes, timber door frames. Mitre cut to provide a continuous fin completely around the frame. Installed in the factory prior to delivery of Windows unless used in a retrofit situation. Can be fitted to existing frames fin or fixed in alternate position.

GAS147 - 24mm Bead - Snap on bead to suit cladding no greater than 24mm thick.

GAS149 - 18mm Bead (Suit Colourbond) - Snap on bead to suit cladding no greater than 18mm thick (usually corrugated colourbond).

GAS150 - 12mm Bead - Snap on bead to suit cladding no greater than 12mm thick (usually compressed sheet).

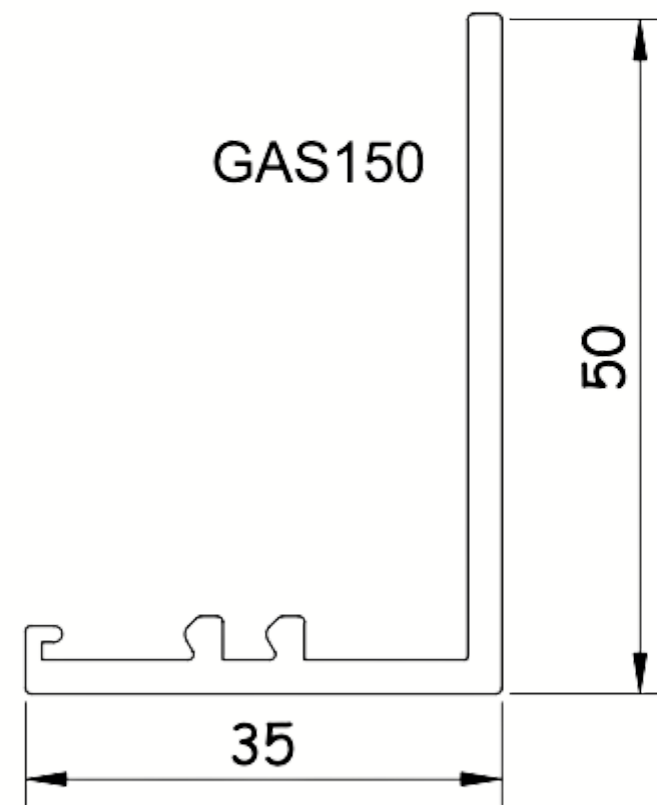
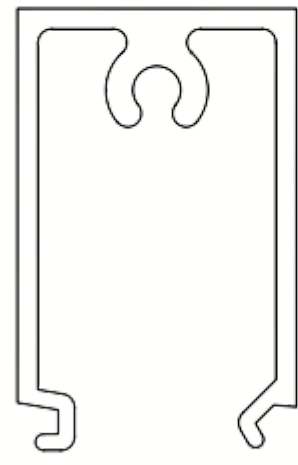
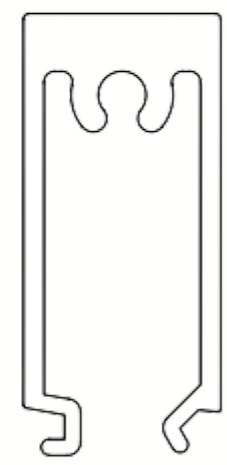
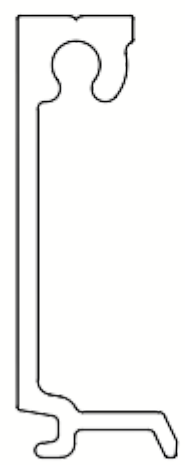


GAS147

GAS148

GAS149

GAS150

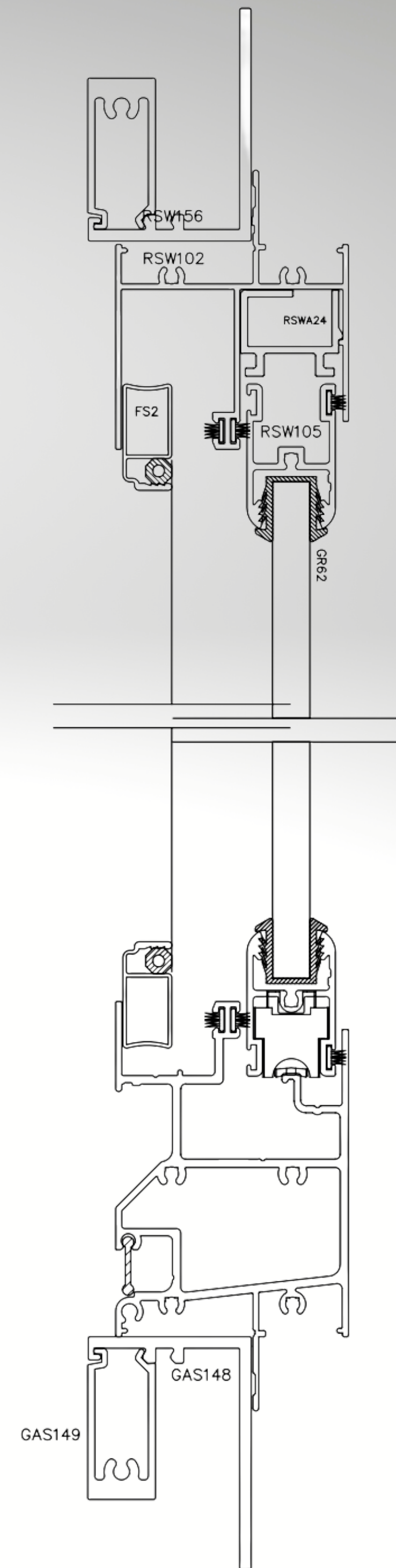


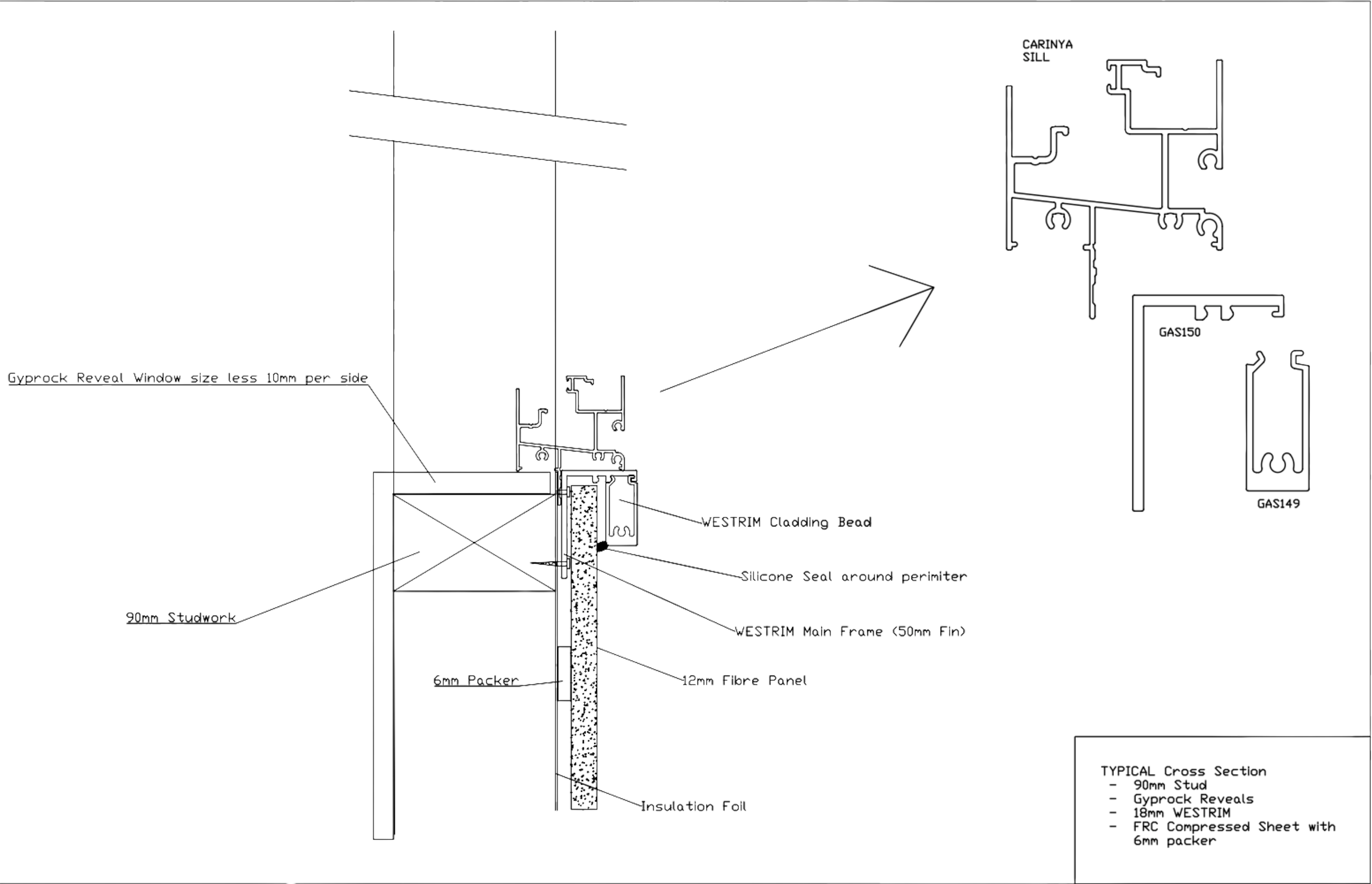
24mm Bead

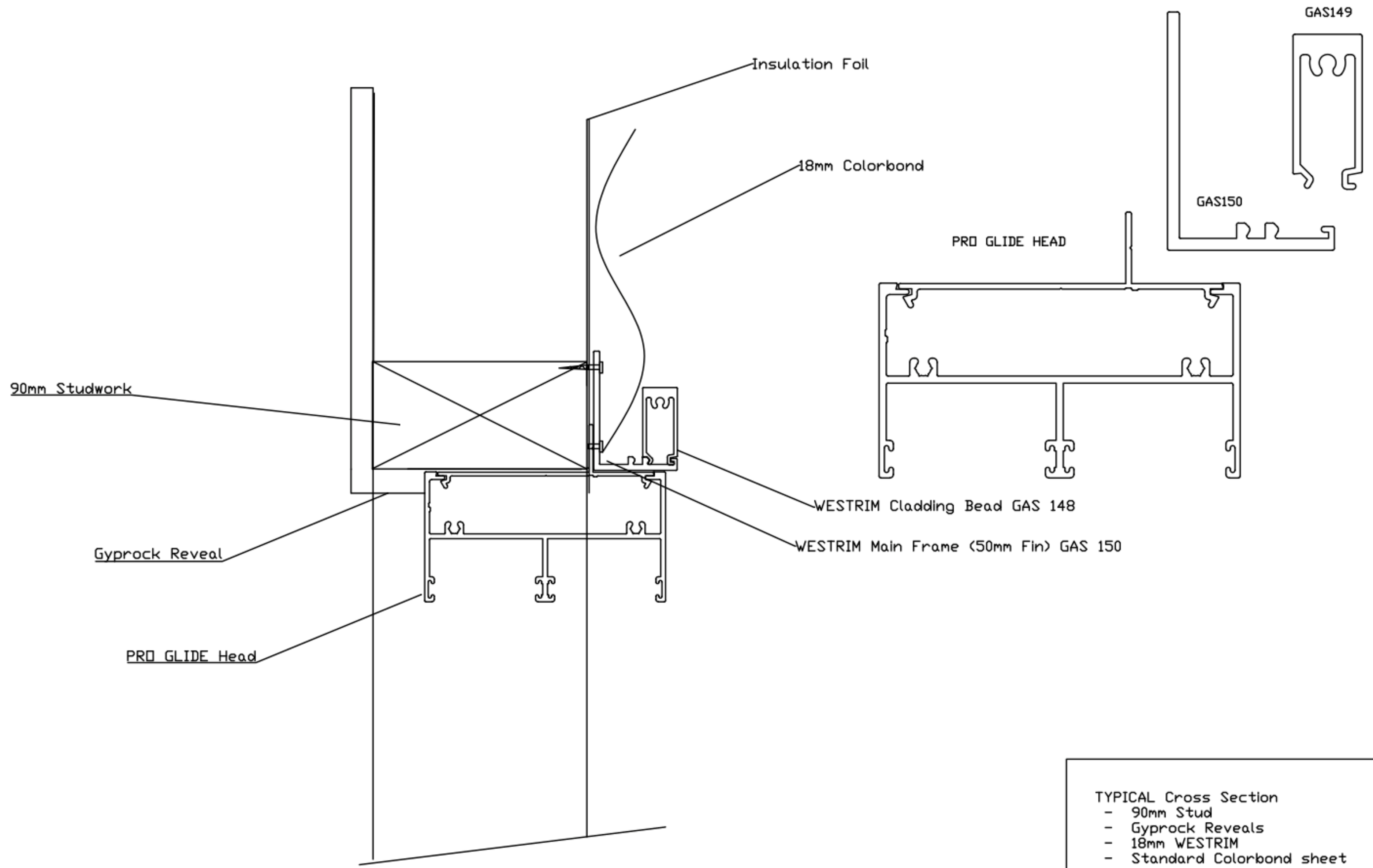
18mm Bead

12mm Bead

L Frame







TYPICAL Cross Section
 - 90mm Stud
 - Gyprock Reveals
 - 18mm WESTRIM
 - Standard Colorbond sheet